

MR-4 Overview:

The MR Series is a robust vibratory bowl finishing machine built to handle continuous duty operation. Hammond Roto-Finish's proven welded-construction design was reimagined in 2011 to simplify manufacturing without sacrificing durability. The MR Series combines that innovative design with high-end features.

The MR-4 is available in five models; Manual, Semi-Auto, Automatic, Accelerated Chemistry, and Flat Bottom. General machine data and features are laid out below.



Machine Features:

Max operating capacity 4.3ft³ (120 L)

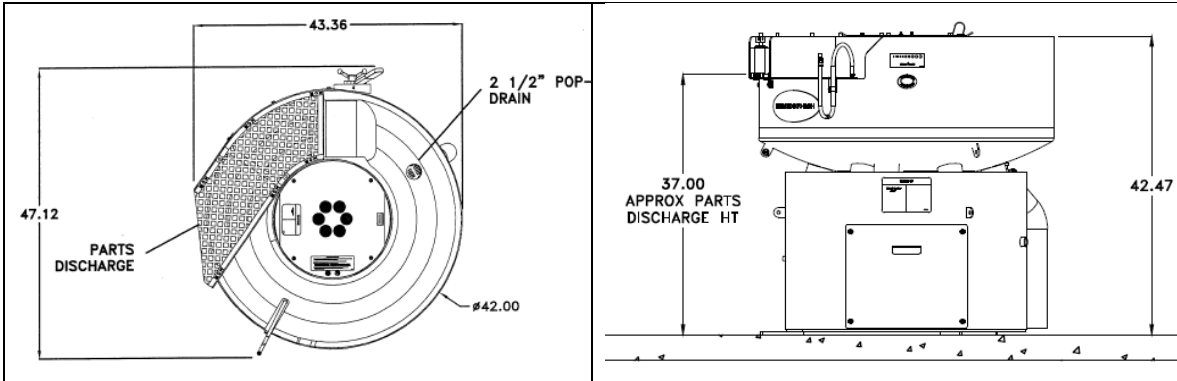
Heavy-duty 3/16" (4.75mm) welded construction

- Main bowl construction component is a pressure vessel tank head
- U shaped process channel with textured, straight wall polyurethane lining
- Polyurethane lining is a minimum 5/8" (15.5mm) thick, with 50% additional in high wear areas
- Bowl is suspended on heavy duty coil springs
- One (1) set of pop-in drains: solid, 1/16" (1.5mm), **1/8" (3mm)** & 1/4" (6.5mm) slots
- Parts separation system with pneumatically operated gate
- One (1) set of urethane-coated separation screens: **3/4" (20mm)** & 1 1/4" (32mm) openings
- Water-driven compound system – mixes between 0% and 5% concentration
- 19 mm socket included for changing eccentric weights
- Integrated lifting eyes
- Grease lubrication
- Available voltages: 230 VAC / 460VAC, 3ph, 60hz
(denotes factory installed – unless specified on order)

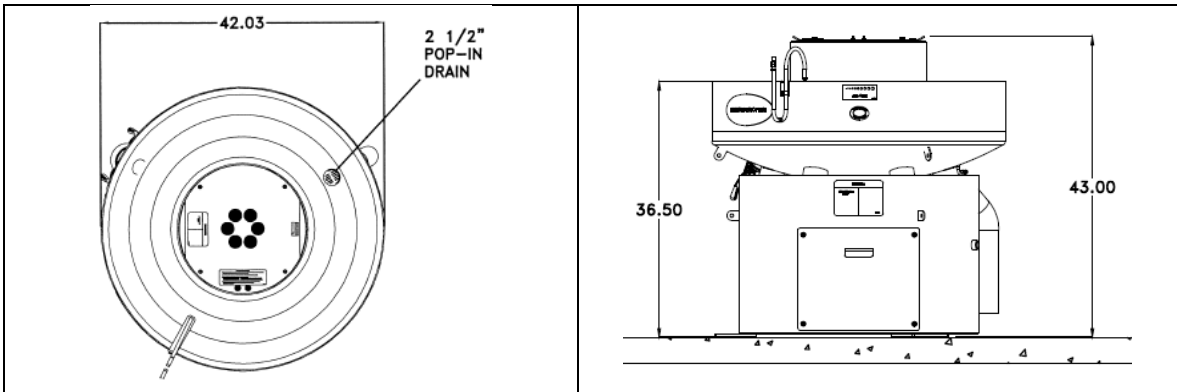
MR-4 Specifications and Dimensions:

Drawings:

MR-4M, MR-4S, MR-4A, MR-4C



MR-4FB



Utilities:

	Bowl Working Volume	Power	FLA (230V/460V)	Shipping Weight	Maximum Water Pressure	Average Flow Rate	Maximum Flow Rate	Drain
English	4.3 ft ³	1.21 hp	4A / 2A	850 lbs	35 psi	8 gal/hr	2 to 20 gal/hr	(1)
Metric	120 L	0.9 kW		385 kg	2.4 bar	30 L/hr	8 to 75 L/hr	2" NPT



<input type="checkbox"/> Manual Model: MR-4M	\$ 19,600.00 USD
This is the baseline machine model. It features manual controls for both motor start and the pneumatically operated gate.	

<input type="checkbox"/> Semi-Auto Model: MR-4S	\$ 22,900.00 USD
This is the baseline machine model. It features the shut off timer and pneumatically operated gate on the control panel. It can be upgraded to include a VFD.	
VFD Upgrade Price	\$ 1,500.00 USD

<input type="checkbox"/> Automatic Model: MR-4A	\$ 34,530.00 USD
This model delivers automation to the MR-4. In addition to the pneumatic gate, it features a PLC with HMI, VFD, and a swinging top eccentric weight. These features work together to automatically process and unload parts from a single Cycle Start button push.	

<input type="checkbox"/> Accelerated Chemistry Model: MR-4C	\$ 40,350.00 USD
This model builds on the MR-4A. In addition to the automatic processing and unloading, it features a second, electric compound pump, part recipe selection from the HMI, and acid proof construction. These features are required in a machine that produces the high luster finishes generated from accelerated chemistry processes.	

<input type="checkbox"/> Flat Bottom Accelerated Chemistry Model: MR-4FBC	\$ 39,959.00 USD
This model builds on the MR-4C. It still features a second, electric compound pump, part recipe selection from the HMI, and acid proof construction for high luster finishes generated from accelerated chemistry processes, but is designed with a media unload plug and no screen deck for hand separation of parts.	

<input type="checkbox"/> Flat Bottom Model: MR-4FB	\$ 17,250.00 USD
This model features an unload plug in the bottom of the bowl for easy media unloading and a shut off timer. It can be upgraded to include a VFD.	
VFD Upgrade Price	\$ 1,600.00 USD



Common MR-4 Options:	USD	
	MR-4S/A/C	MR-4F
<input type="checkbox"/> Special Voltage <input type="checkbox"/> 208VAC / <input type="checkbox"/> 575VAC	\$ 1,280.00	
<input type="checkbox"/> Automatic Grease Lubricator	\$ 1,900.00	
<input type="checkbox"/> End of Cycle Light ²	\$ 390.00	
<input type="checkbox"/> RYG Stack Light (A and C models only) ²	\$ 650.00	N/A
<input type="checkbox"/> PVC Coated Wire Mesh Screen (specify size)	\$ 590.00	N/A
<input type="checkbox"/> Specialty Screen	POR	N/A
<input type="checkbox"/> Media Diverter	POR	N/A
<input type="checkbox"/> Specialty Drain	POR	
<input type="checkbox"/> Pneumatic Closable Drain	\$2,000.00	
<input type="checkbox"/> Specialty Urethane Lining	POR	
<input type="checkbox"/> Outer curve wall "kicker"	\$1,350.00	
<input type="checkbox"/> Unload Plug 4" Opening	\$2,000.00	
<input type="checkbox"/> Media Classification: includes urethane-coated screen with 1/4" openings	\$ 2,600.00	N/A
<input type="checkbox"/> Presentation Deck: For use with magnetic separation	POR	N/A
<input type="checkbox"/> Specialty Media Classification Screen ¹	POR	N/A
<input type="checkbox"/> Screen-deck mounted Rinse Bar ²	\$ 1,225.00	N/A
<input type="checkbox"/> Screen-deck mounted Air Knife ²	\$ 1,780.00	N/A
Settling Tank: 30 gal (110 L) cap. with center baffle ³		
<input type="checkbox"/> Painted Steel	\$ 750.00	
<input type="checkbox"/> Stainless Steel	\$ 1,650.00	
Lift Station: 30 gal (110 L) cap. with center baffle, pumps 100ft (30m) horizontally ⁴		
<input type="checkbox"/> Painted Steel	\$ 4,395.00	
<input type="checkbox"/> Stainless Steel	\$ 5,350.00	
<input type="checkbox"/> Bolt-On Flexible Fabric Noise Cover ⁵	\$ 780.00	
<input type="checkbox"/> Hanging Flexible Fabric Noise Cover ⁵	\$ 920.00	
<input type="checkbox"/> Base Riser 2" to 24" (2" increments) Higher POR	\$ 2,780.00	
<input type="checkbox"/> Special Paint	\$ 870.00	
<input type="checkbox"/> Factory Run Off	\$ 1,300.00	

¹ = Depends on the option above	² = Pick only one from the set
Select either only Item ³ or Item ⁴	⁵ = Pick only one from the set