

MR-12 Overview:

The MR Series is a robust vibratory bowl finishing machine built to handle continuous duty operation. Hammond Roto-Finish's proven welded-construction design was reimaged in 2011 to simplify manufacturing without sacrificing durability. The MR Series combines that innovative design with high-end features.

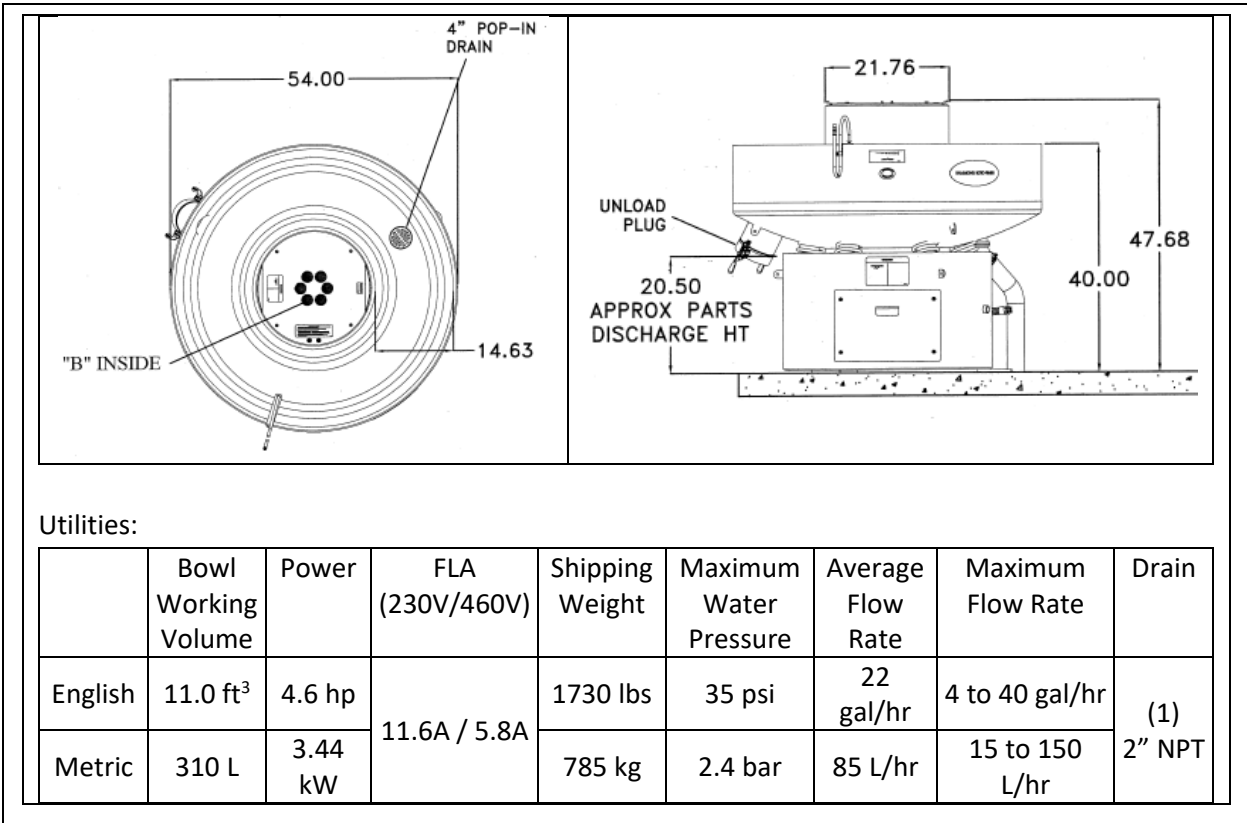
The MR-12 is available in five models; Manual, Semi-Auto, Automatic, Accelerated Chemistry, and Flat Bottom. General machine data and features are laid out below.



Machine Features:

Max operating capacity 11.0ft³ (200 L)

Heavy-duty 3/16" (4.75mm) welded construction





<input type="checkbox"/> Manual Model: MR-12M	POR
This is the baseline machine model. It features manual controls for both motor start and the pneumatically operated gate.	

<input type="checkbox"/> Semi-Auto Model: MR-12S	POR
This is the baseline machine model. It features the shut off timer and pneumatically operated gate on the control panel. It can be upgraded to include a VFD.	
VFD Upgrade Price	POR

<input type="checkbox"/> Automatic Model: MR-12A	POR
This model delivers automation to the MR-12. In addition to the pneumatic gate, it features a PLC with HMI, VFD, and a swinging top eccentric weight. These features work together to automatically process and unload parts from a single Cycle Start button push.	

<input type="checkbox"/> Accelerated Chemistry Model: MR-12C	POR
This model builds on the MR-12A. In addition to the automatic processing and unloading, it features a second, electric compound pump, part recipe selection from the HMI, and acid proof construction. These features are required in a machine that produces the high luster finishes generated from accelerated chemistry processes.	

<input type="checkbox"/> Flat Bottom Model: MR-12FB	POR
This model features an unload plug in the bottom of the bowl for easy media unloading and a shut off timer. It can be upgraded to include a VFD.	
VFD Upgrade Price	POR



Common MR-12 Options:	USD	
	MR-12S/A/C	MR-12FB
<input type="checkbox"/> Special Voltage <input type="checkbox"/> 208VAC / <input type="checkbox"/> 575VAC	POR	
<input type="checkbox"/> Automatic Grease Lubricator	POR	
<input type="checkbox"/> End of Cycle Light ²	POR	
<input type="checkbox"/> RYG Stack Light (A and C models only) ²	POR	N/A
<input type="checkbox"/> PVC Coated Wire Mesh Screen (specify size)	POR	N/A
<input type="checkbox"/> Specialty Screen	POR	N/A
<input type="checkbox"/> Media Diverter	POR	N/A
<input type="checkbox"/> Specialty Drain	POR	
<input type="checkbox"/> Pneumatic Closable Drain	POR	
<input type="checkbox"/> Specialty Urethane Lining	POR	
<input type="checkbox"/> Outer curve wall "kicker"	POR	
<input type="checkbox"/> Unload Plug 4" Opening	POR	
<input type="checkbox"/> Media Classification: includes urethane-coated screen with 1/4" openings	POR	N/A
<input type="checkbox"/> Presentation Deck: For use with magnetic separation	POR	N/A
<input type="checkbox"/> Specialty Media Classification Screen ¹	POR	N/A
<input type="checkbox"/> Screen-deck mounted Rinse Bar ²	POR	N/A
<input type="checkbox"/> Screen-deck mounted Air Knife ²	POR	N/A
Settling Tank: 30 gal (110 L) cap. with center baffle ³		
<input type="checkbox"/> Painted Steel	POR	
<input type="checkbox"/> Stainless Steel	POR	
Lift Station: 30 gal (110 L) cap. with center baffle, pumps 100ft (30m) horizontally ⁴		
<input type="checkbox"/> Painted Steel	POR	
<input type="checkbox"/> Stainless Steel	POR	
<input type="checkbox"/> Bolt-On Flexible Fabric Noise Cover ⁵	POR	
<input type="checkbox"/> Hanging Flexible Fabric Noise Cover ⁵	POR	
<input type="checkbox"/> Base Riser 2" to 24" (2" increments) Higher POR	POR	
<input type="checkbox"/> Special Paint	POR	
<input type="checkbox"/> Factory Run Off	POR	

¹ = Depends on the option above	² = Pick only one from the set
Select either only Item ³ or Item ⁴	⁵ = Pick only one from the set