

Quote # Click or tap here to enter text.

MR-7 Overview:

The MR Series is a robust vibratory bowl finishing machine built to handle continuous duty operation. Hammond Roto-Finish's proven welded-construction design was reimaged in 2011 to simplify manufacturing without sacrificing durability. The MR Series combines that innovative design with high-end features.

The MR-7 is available in five models; Manual, Semi-Auto, Automatic, Accelerated Chemistry, and Flat Bottom. General machine data and features are laid out below.



Machine Features:

Max operating capacity 7.0ft³ (200 L)

Heavy-duty 3/16" (4.75mm) welded construction

Main bowl construction component is a pressure vessel tank head

U shaped process channel with textured, straight wall polyurethane lining

Polyurethane lining is a minimum 5/8" (15.5mm) thick, with 50% additional in high wear areas

Bowl is suspended on heavy duty coil springs

One (1) set of pop-in drains: solid, 1/16" (1.5mm), **1/8" (3mm)** & 1/4" (6.5mm) slots

Parts separation system with pneumatically operated gate

One (1) set of urethane-coated separation screens: **3/4" (20mm)** & 1 1/4" (32mm) openings

Water-driven compound system – mixes between 0% and 5% concentration

19 mm socket included for changing eccentric weights

Integrated lifting eyes

Grease lubrication

Available voltages:

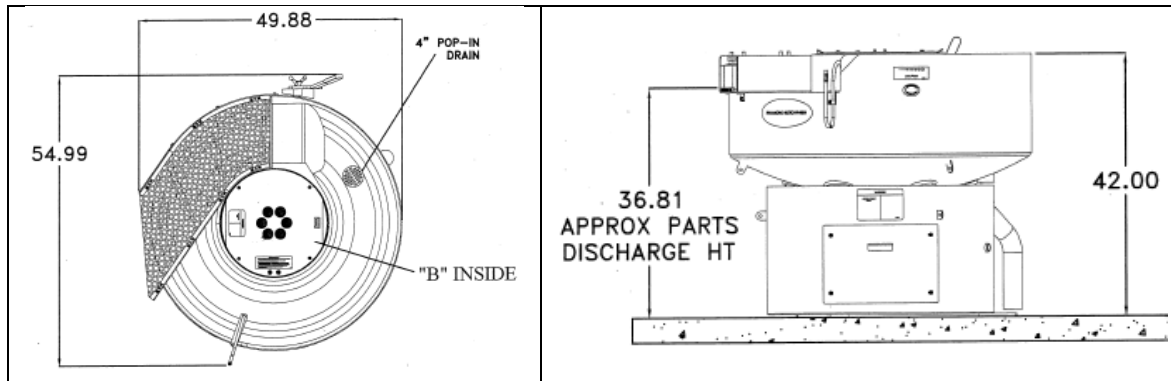
230 VAC / 460VAC, 3ph, 60hz

(denotes factory installed – unless specified on order)

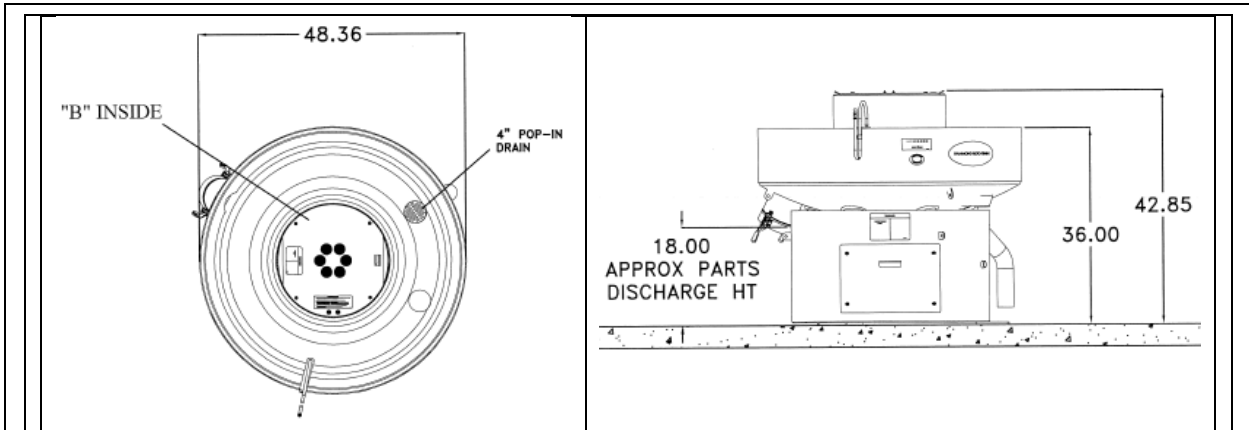
MR-7 Specifications and Dimensions:

Drawings:

MR-7M, MR-7S, MR-7A, MR-7C



MR-7FB



Utilities:

	Bowl Working Volume	Power	FLA (230V/460V)	Shipping Weight	Maximum Water Pressure	Average Flow Rate	Maximum Flow Rate	Drain
English	7.0 ft ³	2.9 hp	8.2A / 4.1A	1520 lbs	35 psi	14 gal/hr	2 to 20 gal/hr	(1) 2" NPT
Metric	200 L	2.2 kW		690 kg	2.4 bar	55 L/hr	8 to 75 L/hr	



<input type="checkbox"/> Manual Model: MR-7M	POR
This is the baseline machine model. It features manual controls for both motor start and the pneumatically operated gate.	

<input type="checkbox"/> Semi-Auto Model: MR-7S	POR
This is the baseline machine model. It features the shut off timer and pneumatically operated gate on the control panel. It can be upgraded to include a VFD.	
VFD Upgrade Price	POR

<input type="checkbox"/> Automatic Model: MR-7A	POR
This model delivers automation to the MR-7. In addition to the pneumatic gate, it features a PLC with HMI, VFD, and a swinging top eccentric weight. These features work together to automatically process and unload parts from a single Cycle Start button push.	

<input type="checkbox"/> Accelerated Chemistry Model: MR-7C	POR
This model builds on the MR-7A. In addition to the automatic processing and unloading, it features a second, electric compound pump, part recipe selection from the HMI, and acid proof construction. These features are required in a machine that produces the high luster finishes generated from accelerated chemistry processes.	

<input type="checkbox"/> Flat Bottom Model: MR-7FB	POR
This model features an unload plug in the bottom of the bowl for easy media unloading and a shut off timer. It can be upgraded to include a VFD.	
VFD Upgrade Price	POR



Select either only Item ³ or Item ⁴ ⁵ = Pick only one from the set

Common MR-7 Options: Description	USD	
	MR-7S/A/C	MR-7F
<input type="checkbox"/> Special Voltage <input type="checkbox"/> 208VAC / <input type="checkbox"/> 575VAC	POR	
<input type="checkbox"/> Automatic Grease Lubricator	POR	
<input type="checkbox"/> End of Cycle Light ²	POR	
<input type="checkbox"/> RYG Stack Light (A and C models only) ²	POR	N/A
<input type="checkbox"/> PVC Coated Wire Mesh Screen (specify size)	POR	N/A
<input type="checkbox"/> Specialty Screen	POR	N/A
<input type="checkbox"/> Media Diverter	POR	N/A
<input type="checkbox"/> Specialty Drain	POR	
<input type="checkbox"/> Pneumatic Closable Drain	POR	
<input type="checkbox"/> Specialty Urethane Lining	POR	
<input type="checkbox"/> Outer curve wall "kicker"	POR	
<input type="checkbox"/> Unload Plug 4" Opening	POR	
<input type="checkbox"/> Media Classification: includes urethane-coated screen with 1/4" openings	POR	N/A
<input type="checkbox"/> Presentation Deck: For use with magnetic separation	POR	N/A
<input type="checkbox"/> Specialty Media Classification Screen ¹	POR	N/A
<input type="checkbox"/> Screen-deck mounted Rinse Bar ²	POR	N/A
<input type="checkbox"/> Screen-deck mounted Air Knife ²	POR	N/A
Settling Tank: 30 gal (110 L) cap. with center baffle ³		
<input type="checkbox"/> Painted Steel	POR	
<input type="checkbox"/> Stainless Steel	POR	
Lift Station: 30 gal (110 L) cap. with center baffle, pumps 100ft (30m) horizontally ⁴		
<input type="checkbox"/> Painted Steel	POR	
<input type="checkbox"/> Stainless Steel	POR	
<input type="checkbox"/> Bolt-On Flexible Fabric Noise Cover ⁵	POR	
<input type="checkbox"/> Hanging Flexible Fabric Noise Cover ⁵	POR	
<input type="checkbox"/> Base Riser 2" to 24" (2" increments) Higher POR	POR	
<input type="checkbox"/> Special Paint	POR	
<input type="checkbox"/> Factory Run Off	POR	

¹ = Depends on the option above ² = Pick only one from the set
 Select either only Item ³ or Item ⁴ ⁵ = Pick only one from the set